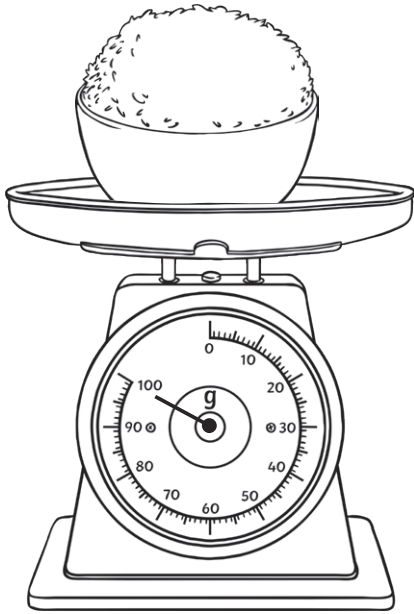
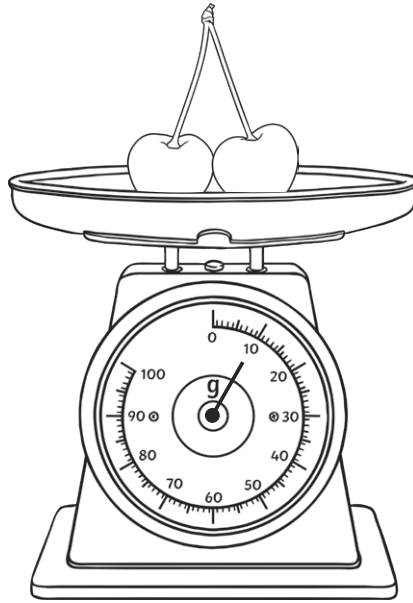


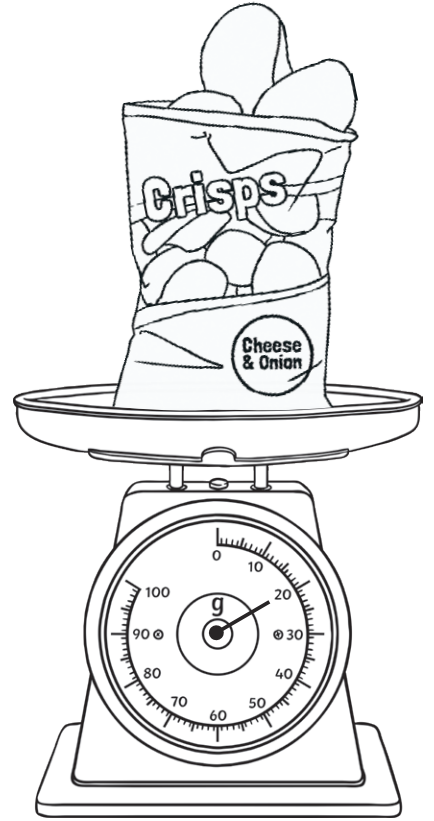
How Many Grams?



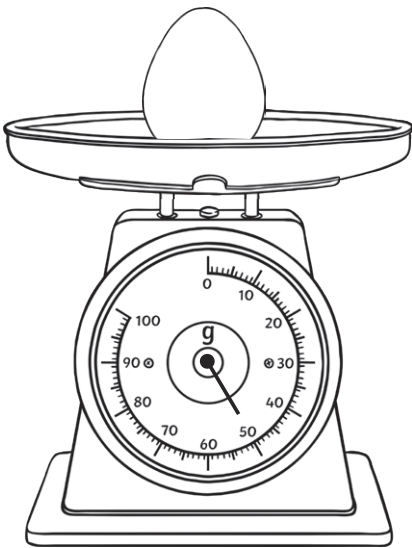
_____ g



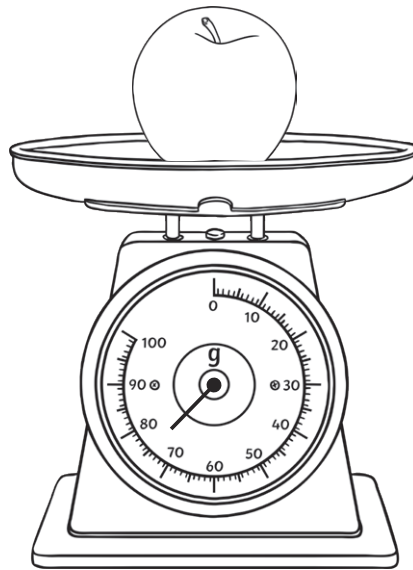
_____ g



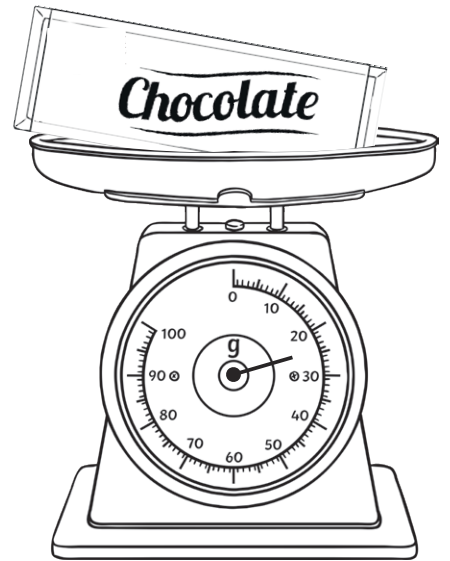
_____ g



_____ g

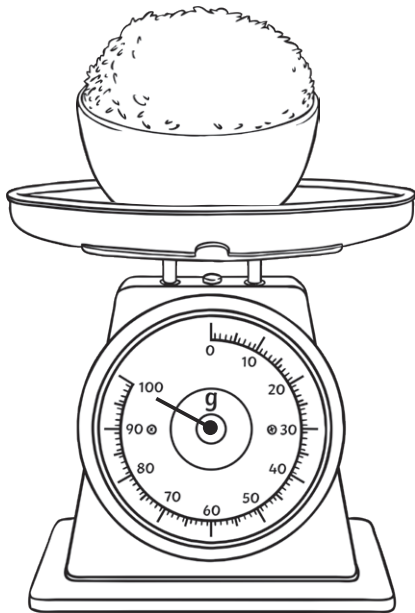


_____ g

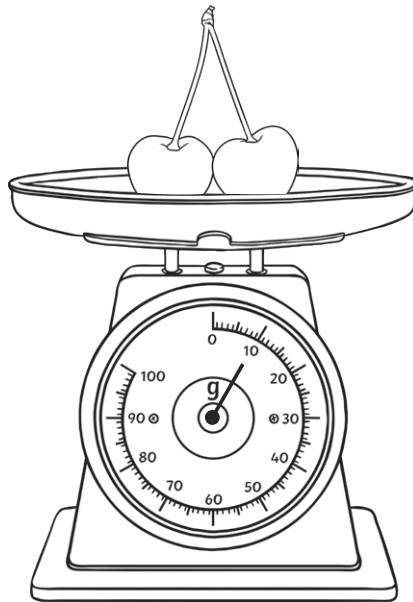


_____ g

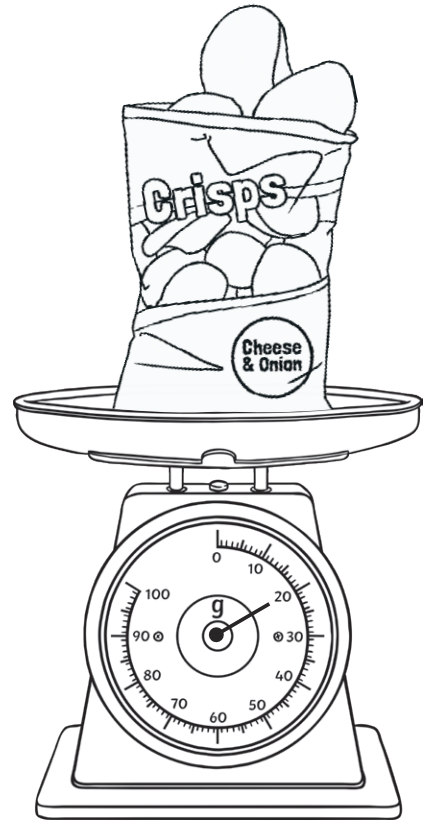
How Many Grams? **Answers**



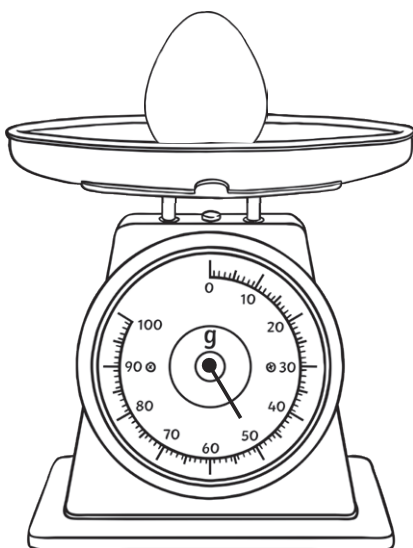
100 g



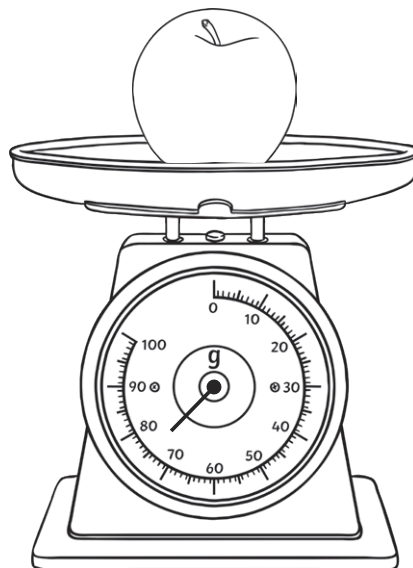
10 g



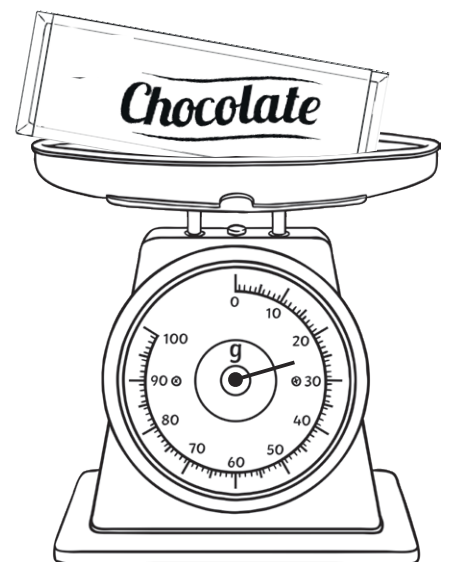
20 g



50 g



75 g



25 g